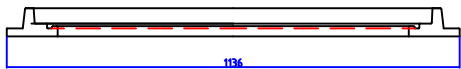
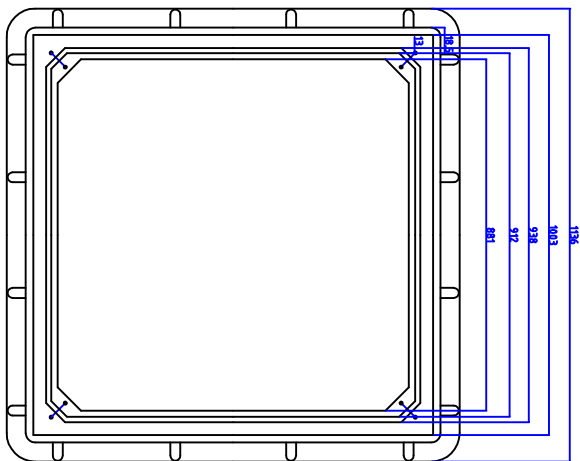
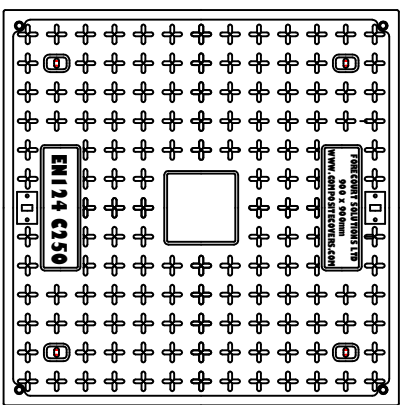
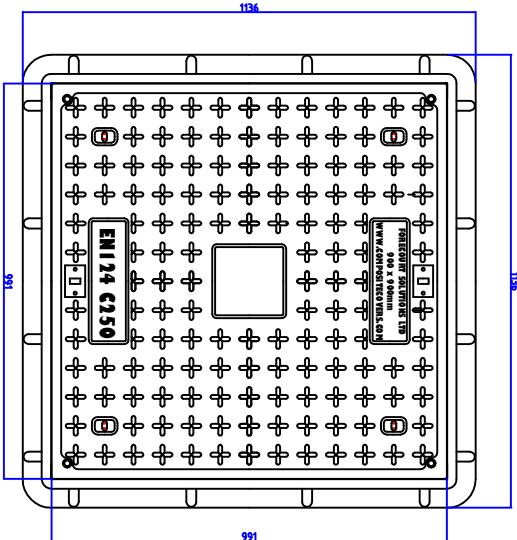


A B C D E F



DATE	ISSUE	REASON FOR ISSUE	CHG'D	SCALE
20-07-09				1:1

DRAWN	JRH	TITLE
CHECKED	NMH	CC9090C250 Cover & Frame Dimensions
DATE	04-05-17	MATERIAL SMC UNLESS OTHERWISE STATED
SCALE	1:1	

This drawing and any descriptive matter or information set out hereon, is the property of Forecourt Solutions Ltd who are the owners of the copyright, and must not be disclosed, loaned, copied or used for manufacturing, tendering or for any other purpose without their written permission.

FORECOURT SOLUTIONS LTD
 UNIT F, CROSSWAYS ROAD, THISTLE PARK,
 SHOWGROUND BUSINESS PARK, BRIDGWATER,
 SOMERSET TA7 0BD, UK
 TEL +44 1278 428833 FAX +44 1278 459808
 www.forecourtsolutions.co.uk

DRAWING NUMBER
CC9090C250
Cover & frame

1