

DATE	ISSUE	REASON FOR ISSUE	CHG'D
24-05-12	1	Production	NB

DRAWN	JRH
CHECKED	NMH
DATE	04-05-12
SCALE	1:1

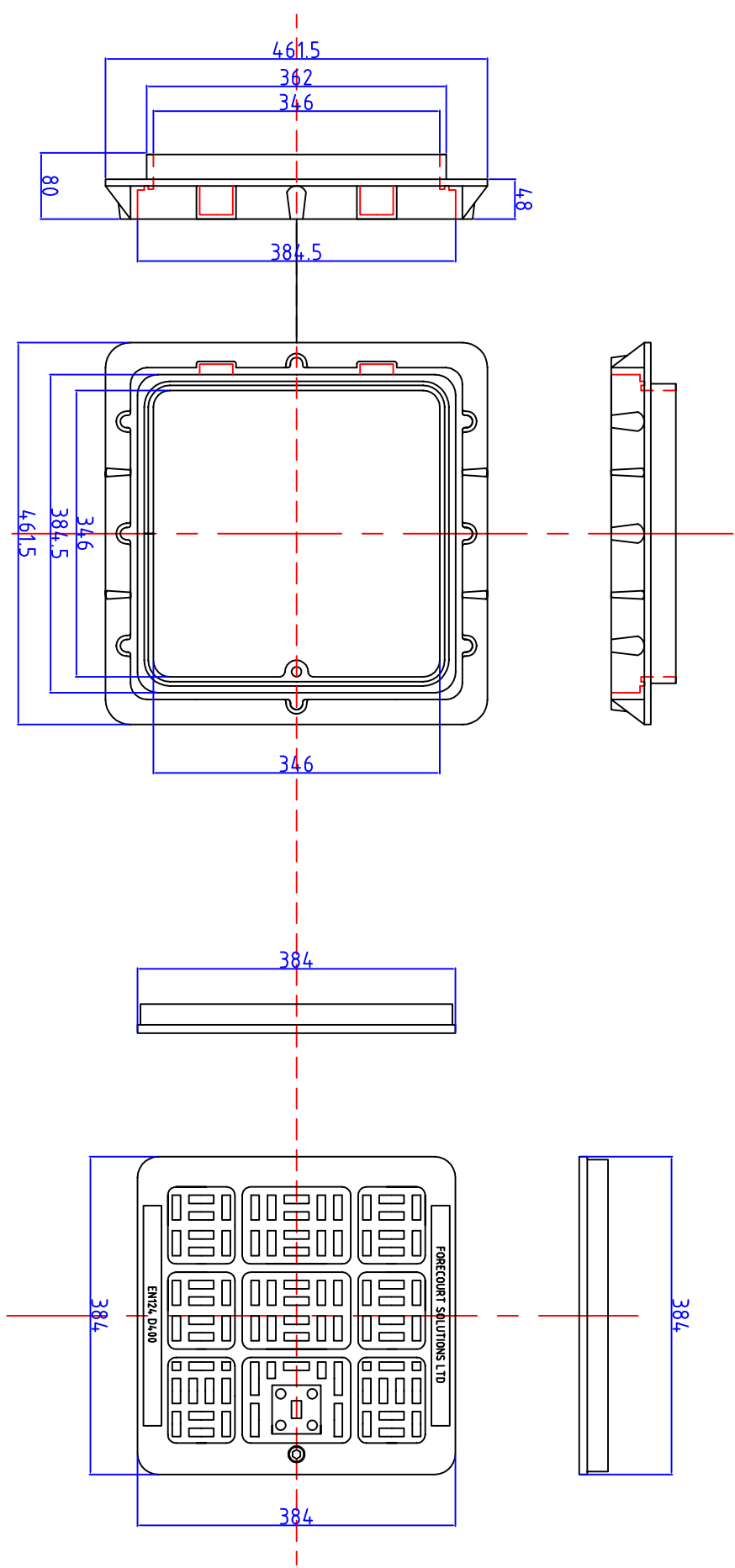
TITLE
CC3535D400AN Cover & Frame Dimensions

NATIONAL SMC
UNLESS OTHERWISE STATED

This drawing and any descriptive matter or information set out hereon, is the property of Forecourt Solutions Ltd who are the owners of the copyright, and must not be disclosed loaned, copied or used for manufacturing, tendering or for any other purpose without their written permission.

FORECOURT SOLUTIONS LTD
UNIT F, CROSSWAYS ROAD, THISTLE PARK,
SHOWGROUND BUSINESS PARK, BRIDGWATER,
SOMERSET TA7 0BD UK
TEL +44 1278 428833 FAX +44 1278 459808
www.forecourtsolutionsltd.com

DRAWING NUMBER
CC3535D400AN
Cover & Frame
Dimension



1	2	3	4	A	B	C	D	E	F
---	---	---	---	---	---	---	---	---	---