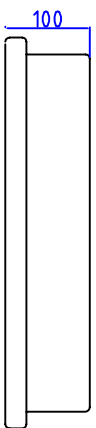
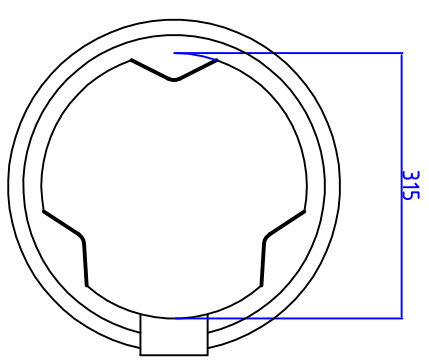


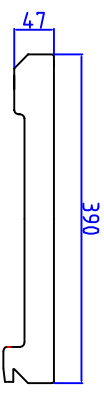
Top View of Cover & Frame



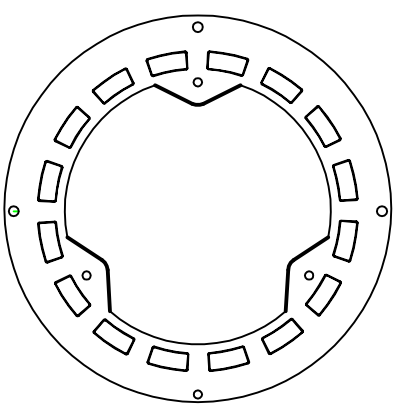
Side View of Frame Frame



Underside of cover



Side View of Cover



Underside view of Frame

1		DRAWN		JRH		TITLE		CC0315D400 PAS26 315mm Circular Cover & Frame	
11-09-13		CHECKED		NMH		NATIONAL		UNLESS OTHERWISE STATED	
2		DATE		11-09-13		SMC		This drawing and any descriptive matter or information set out herein, is the property of Forecourt Solutions Ltd who are the owners of the copyright, and must not be disclosed loaned, copied or used for manufacturing, tendering or for any other purpose without their written permission.	
A		REASON FOR ISSUE		CMTD		SCALE		1:1	
DATE		ISSUE		CMTD		SCALE		1:1	

E		D		C		B		A	
F		E		D		C		B	
1		DRAWING NUMBER		CC0315 D400 PAS26		FORECOURT SOLUTIONS LTD UNIT F, THISTLE PARK, CROSSWAYS ROAD, SHOWGROUND BUSINESS PARK, BRIDGWATER, SOMERSET, TA6 6LS, UNITED KINGDOM TEL: +44 1278 428833 Fax: +44 1278 459808			